



# Technical Data

## SCO4P Enclosed Changeover Switches

IP65



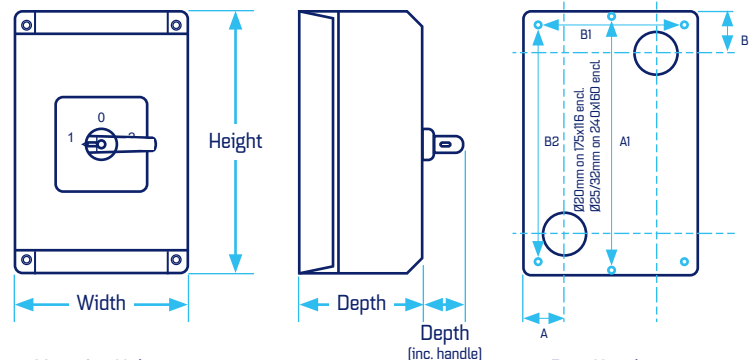
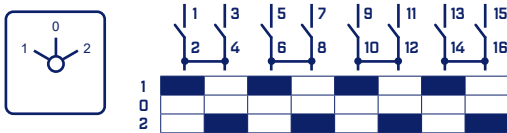
- 4 Pole Range available from 20A to 100A
- IP65 Protection Rating (enclosure)
- EN 60947-3 Compliant
- 2 Sizes of Enclosure
- Multiple Gland Knockouts
- 3 Position Handle with Centre OFF
- Flame Retardant
- External Mounting Points
- Additional Earth Connection

### ORDERING INFORMATION

Part Number	Current I <sub>e</sub> (AC21)	Rated Operating Voltage	Poles
SCO4P20	20A	230-440V	4
SCO4P32	32A	230-440V	4
SCO4P40	40A	230-440V	4
SCO4P63	63A	230-440V	4
SCO4P80	80A	230-440V	4
SCO4P100	100A	230-440V	4

### DIMENSIONS (mm)

Part Number	Height	Width	Depth	Depth inc. Handle	Gland Knockouts
SCO4P20	176	116	101	136	M20/25
SCO4P32	176	116	101	136	M20/25
SCO4P40	176	116	101	136	M20/25
SCO4P63	240	160	162	194	M25/32
SCO4P80	240	160	162	194	M25/32
SCO4P100	240	160	162	194	M25/32



#### Mounting Holes

For SCO4P20, SCO4P32 & SCO4P40  
 A1: 165mm  
 For SCO4P63, SCO4P80 & SCO4P100  
 B1: 142mm, B2: 193mm

#### Rear Knockouts

A: 27.5mm on 175x116mm enclosure  
 42mm on 240x160mm enclosure  
 B: 25mm on 175x116mm enclosure  
 42.0mm on 240x160mm enclosure

### GENERAL INFORMATION

Enclosure Material	Polycarbonate
Lid Screw Material	Stainless Steel
Ingress Protection	IP65 Enclosure / IP20 Body
Interlocked Handle	n/a
Approvals	UKCA, CE, SEMKO
Compliance	IEC EN 60947-3, RoHS

### TECHNICAL SPECIFICATION

Part Number	SCO4P20	SCO4P32	SCO4P40	SCO4P63	SCO4P80	SCO4P100
Poles	4	4	4	4	4	4
Rated Operational Current I <sub>e</sub> (AC21) [A]	20	32	40	63	80	100
Rated Power of 3Ph Motor at 415V (AC23A) [kW]	7	12	15	22	30	37
Rated Voltage [V]	415	415	415	415	415	415
Frequency [Hz]	50/60	50/60	50/60	50/60	50/60	50/60
Rated Insulation Voltage U <sub>i</sub> [V]	690	690	690	690	690	690
Max. Cable Size (Solid/Stranded) [mm <sup>2</sup> ]	10	10	10	35	35	35
Rated Cond. Short Circuit Current [A]	20 I <sub>e</sub>	20 I <sub>e</sub>	20 I <sub>e</sub>	20 I <sub>e</sub>	20 I <sub>e</sub>	20 I <sub>e</sub>
Short Time Withstand Current 415V 1 sec. [A]	12 I <sub>e</sub>	12 I <sub>e</sub>	12 I <sub>e</sub>	12 I <sub>e</sub>	12 I <sub>e</sub>	12 I <sub>e</sub>
Rated Make/Break Capacity [A]	8 I <sub>e</sub>	8 I <sub>e</sub>	8 I <sub>e</sub>	8 I <sub>e</sub>	8 I <sub>e</sub>	8 I <sub>e</sub>
Protection Degree	IP65	IP65	IP65	IP65	IP65	IP65
Tightening Torque [Nm]	2	2	2	3	3	3
Mechanical Life [10 <sup>3</sup> ]	10	10	10	10	10	10
Weight [kg]	0.75	0.75	0.75	1.85	1.85	1.85

For more information, email [sales@stag-electrical.com](mailto:sales@stag-electrical.com)