



## Technical Data

### BZR Buzzers

IP40



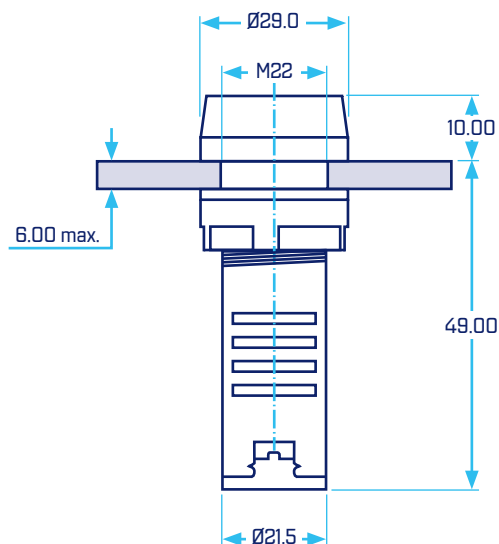
- 22.5mm Single Hole Mounting
- IP40 Protection Rating
- 24VAC/DC, 110VAC/DC & 230VAC
- Polycarbonate Body & Lens
- Temperature Range: -5°C to +40°C
- Intermittent sound output: 80-85dB
- Intermittent Red LED Option

### ORDERING INFORMATION

Part Number	Voltage Rating	Description
<b>BZR-12</b>	12VAC/DC	Buzzer
<b>BZRL-12</b>		Buzzer with LED
<b>BZR-24</b>	24VAC/DC	Buzzer
<b>BZRL-24</b>		Buzzer with LED
<b>BZR-110</b>	110VAC/DC	Buzzer
<b>BZRL-110</b>		Buzzer with LED
<b>BZR-230AC</b>	230VAC	Buzzer
<b>BZRL-230AC</b>		Buzzer with LED

### DIMENSIONS (mm)

Part Number	Total Length	Lens Diameter	Mounting Hole
<b>BZR/BZRL</b>	59.00	29.00	M22



### GENERAL INFORMATION

Outer Material	Polycarbonate
Approvals	UKCA, CE, RoHS
Connection Type	Screw Clamp
Mounting Type	Panel Mount

### TECHNICAL SPECIFICATION

Part Number		BZR	BZRL
Fixing Hole Diameter		22.5mm	
Loudness		80-85dB	
Alert Frequency		Sound Only: 0.75Hz [45 times per min.]	Sound & Light: 0.5Hz [approx 30 times per min.]
Brightness		n/a	≥20cd/m <sup>2</sup>
Electrical Life		≥30,000 hours	
Max. Power Consumption	12V AC/DC	0.36W	0.36W
	24V AC/DC	0.72W	0.72W
	110V AC/DC	3.3W	3.3W
	230V AC	6.9W	6.9W
Protection Rating		IP40	
Temperature Range		-5°C to +40°C	